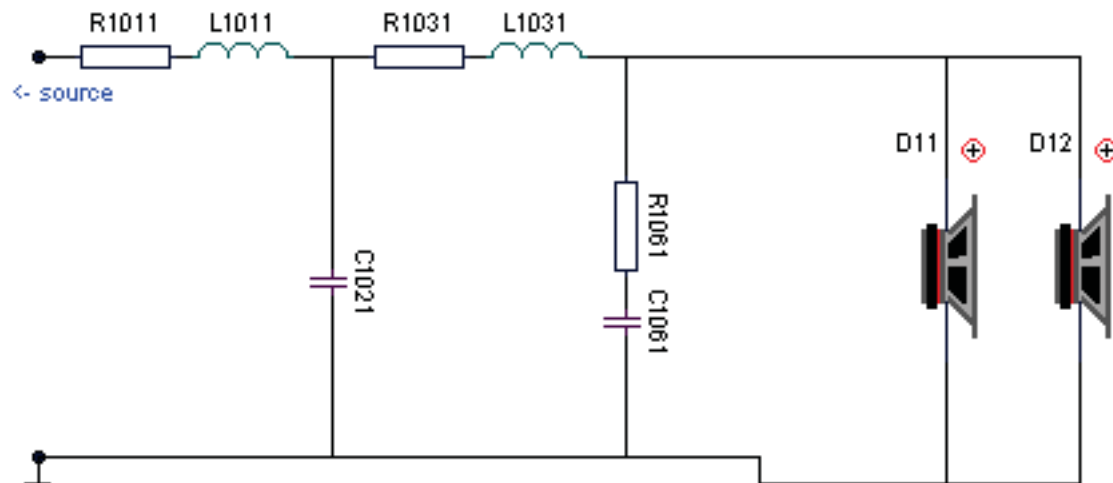
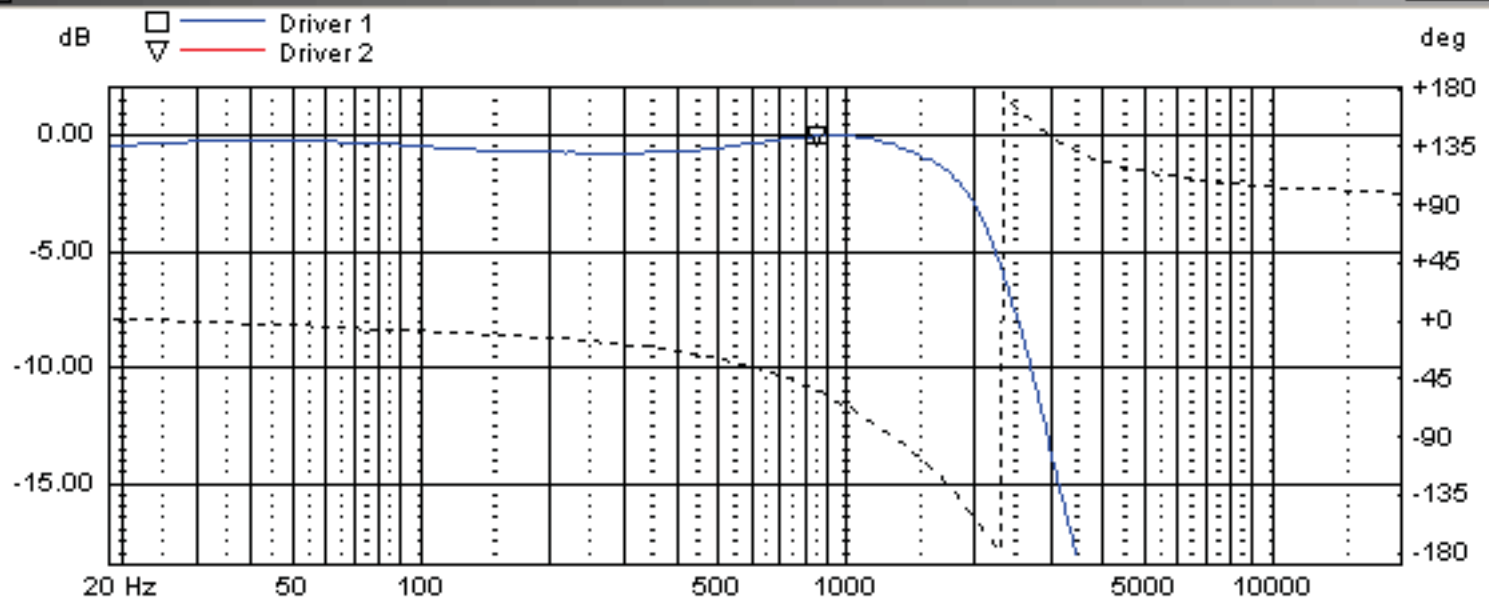


Schematics/overview

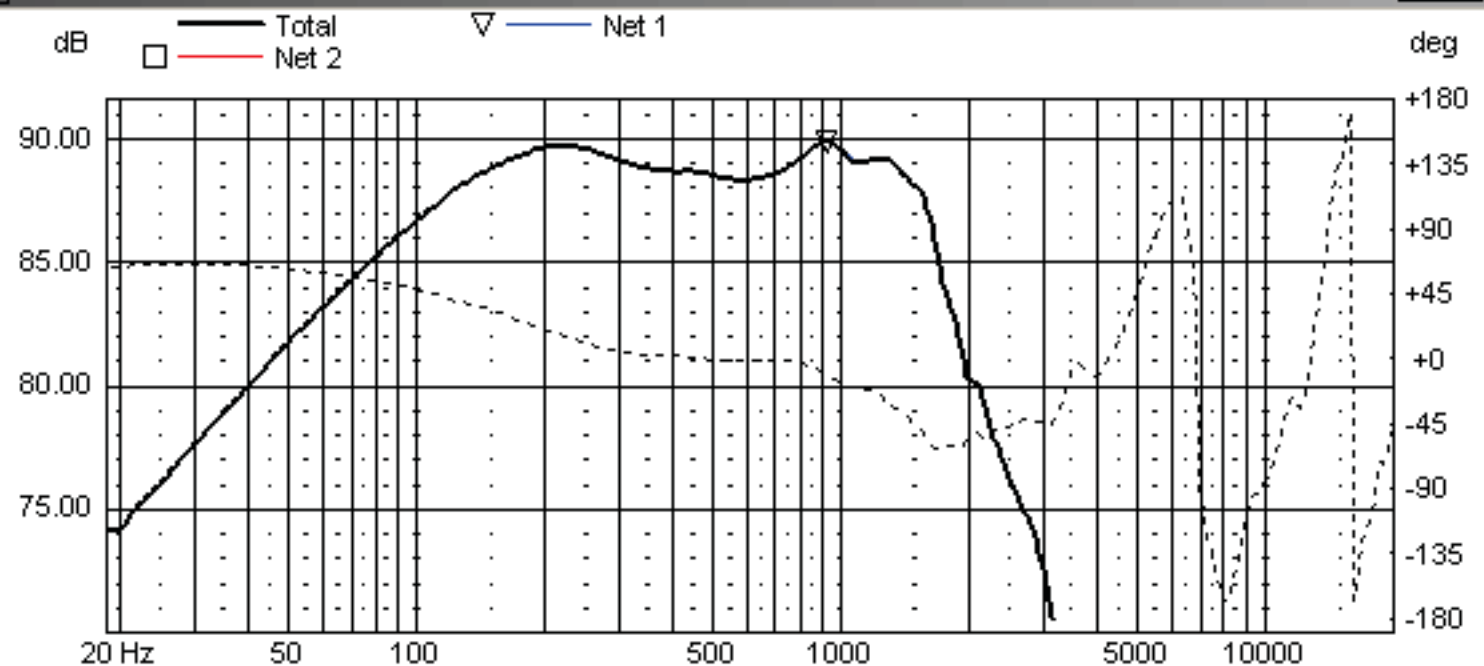
- R1011 0.260 ohm
- L1011 0.330 mH
- C1021 40.00 uF
- R1031 0.130 ohm
- L1031 0.200 mH
- R1061 3.00 ohm
- C1061 40.00 uF



Net 1 gain



Summed frequency response



MIT OpenCourseWare
<http://ocw.mit.edu>

Audio and Speaker Electronics
Spring 2007

For information about citing these materials or our Terms of Use, visit: <http://ocw.mit.edu/terms>.