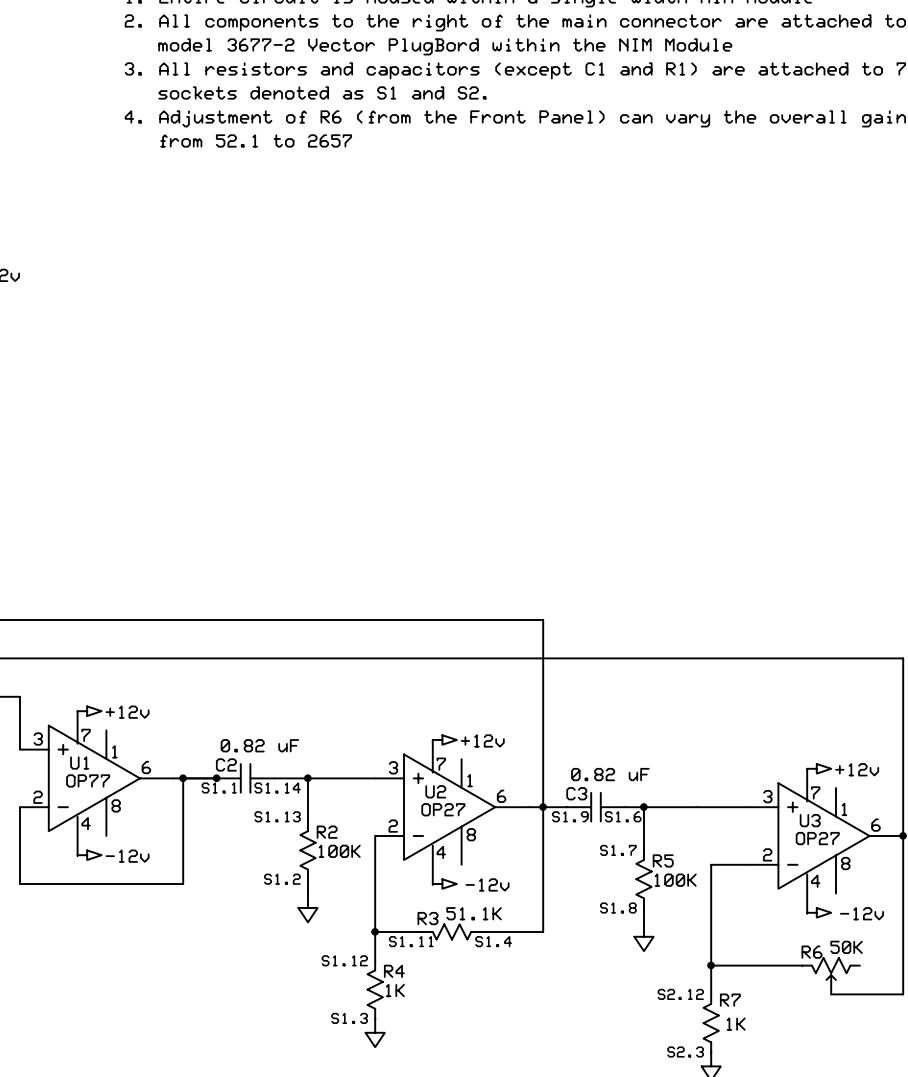
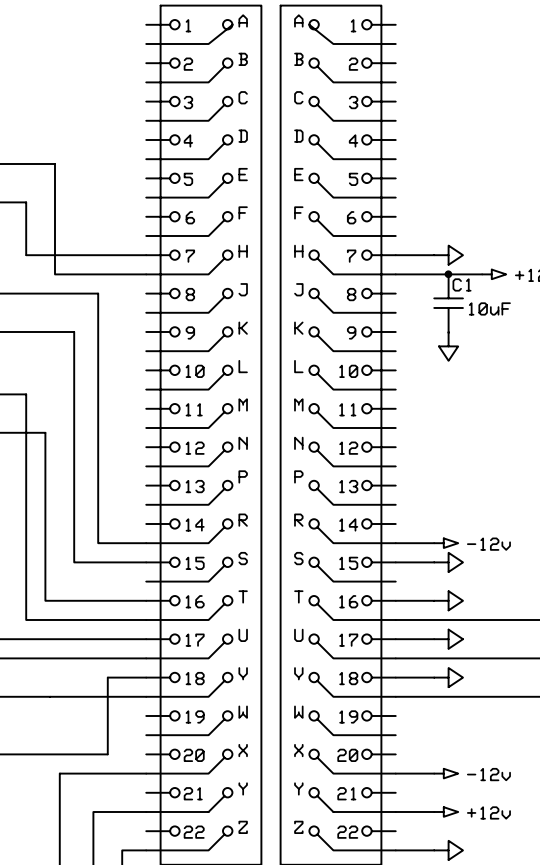
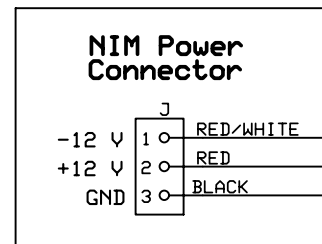
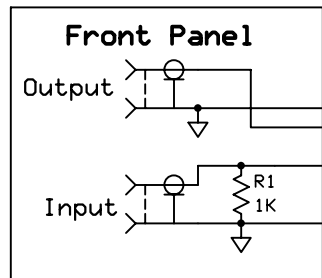
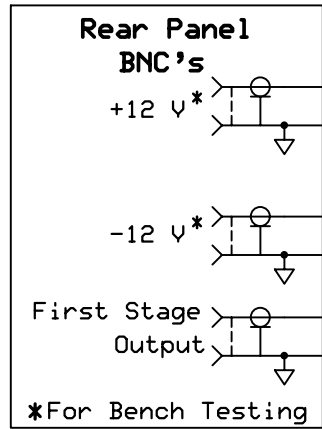


Vector Edge Connector R644

Vector PlugBord 3677-2

NOTES:

1. Entire circuit is housed within a single-width NIM Module
2. All components to the right of the main connector are attached to a model 3677-2 Vector PlugBord within the NIM Module
3. All resistors and capacitors (except C1 and R1) are attached to 7-slot sockets denoted as S1 and S2.
4. Adjustment of R6 (from the Front Panel) can vary the overall gain from 52.1 to 2657



MIT Junior Lab		
Low Frequency Amplifier		
13. Mossbauer Spectroscopy		
Adam Reynolds	Rev 1.0 12/28/2004	Page 1 of 1

MIT
OpenCourseWare
<https://ocw.mit.edu>

8.13-14 Experimental Physics I & II "Junior Lab"
Fall 2016 - Spring 2017

For information about citing these materials or our Terms of Use, visit: <https://ocw.mit.edu/terms>.