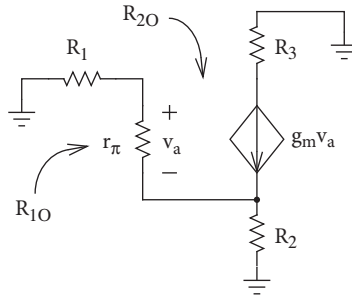


General equations, worst case OCT:



$$R_{10} = r_\pi \parallel \left(\frac{R_1 + R_2}{1 + g_m R_2} \right)$$

$$R_{20} = \underbrace{R_1 \parallel [r_\pi + (\beta + 1)R_2]}_{R_{\parallel}} + R_3 + \frac{g_m r_\pi R_{\parallel} R_3}{r_\pi + (\beta + 1)R_2}$$

MIT OpenCourseWare
<http://ocw.mit.edu>

6.301 Solid-State Circuits
Fall 2010

For information about citing these materials or our Terms of Use, visit: <http://ocw.mit.edu/terms>.