

**Unified Quiz 3S**  
November 7, 2003

One 8 1/2" x 11" sheet (two sides) of notes allowed.

Calculators allowed.

Calculators may NOT be used for eigenvalue / eigenvector calculation or for solving matrix equations

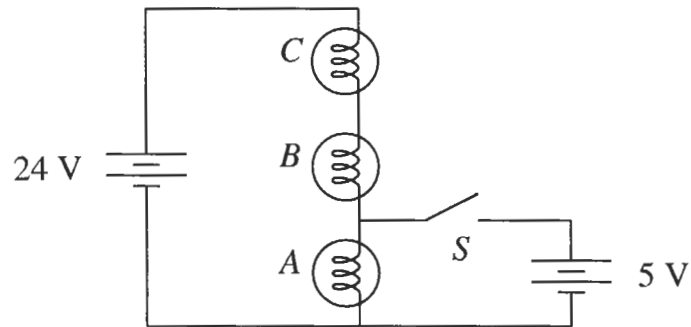
No books allowed.

- Put your name on each page of the exam.
- Read all questions carefully.
- Do all work for each problem on the two pages provided.
- Show intermediate results.
- Explain your work --- don't just write equations. Any problem (except multiple choice) without an explanation can receive no better than a "B" grade.
- Partial credit will be given, but only when the intermediate results and explanations are clear.
- Please be neat. It will be easier to identify correct or partially correct responses when the response is neat.
- Show appropriate units with your final answers.
- Box your final answers.

**Exam Scoring**

#1 (25%)	
#2 (20%)	
#3 (30%)	
#4 (25%)	
Total	Joe B = 75

PROBLEM #1 (25%)



A circuit consists of three identical light bulbs, two batteries, and a switch, as shown above. When the switch  $S$  is closed, do the following increase, decrease, or stay the same? Circle one for each part.

1. The intensities of bulbs  $B$  and  $C$

increase      decrease      stay the same

2. The intensity of bulb  $A$

increases       decreases      stays the same

3. The current flow in the 24 V battery

increases      decreases      stays the same

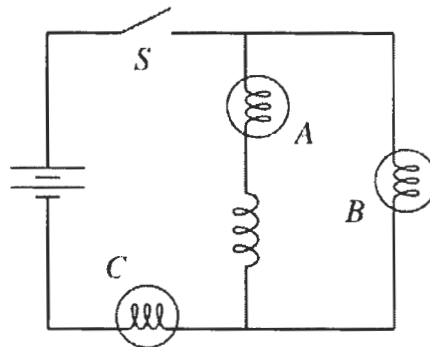
4. The power supplied by the 24 V battery to the circuit

increases      decreases      stays the same

5. The power supplied by the 5 V battery to the circuit

increases       decreases      stays the same

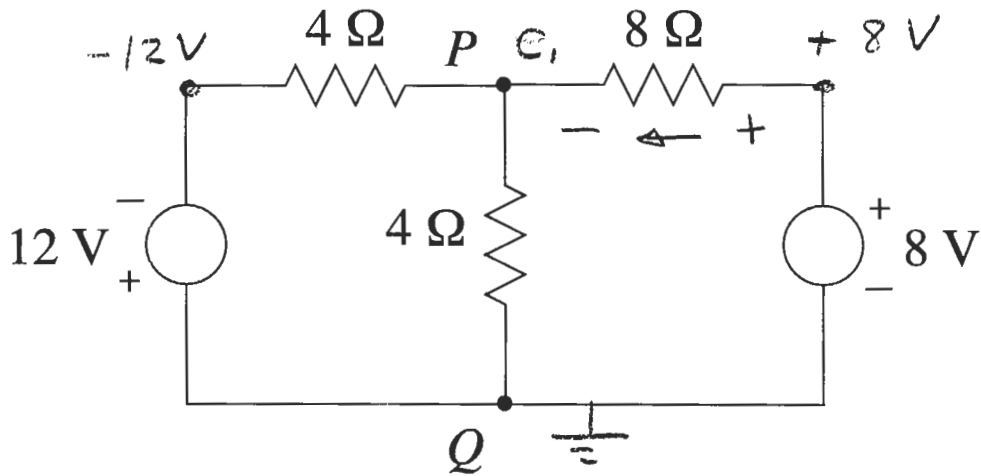
PROBLEM #1 (continued)



Consider the circuit above with three identical light bulbs, a battery, an inductor, and a switch. Initially, the switch is open, and has been open for a long time. The switch is then closed.

6. Immediately after the switch is closed, the intensity of bulb *A* is  
 less than      greater than      the same as  
the intensity of bulb *B*.
7. Immediately after the switch is closed, the intensity of bulb *C* is  
less than      greater than       the same as  
the intensity of bulb *B*.
8. After the switch has closed for a long time, the intensity of bulb *B* is  
less than      greater than       the same as  
the intensity of bulb *A*.
9. After the switch has closed for a long time, the intensity of bulb *C* is  
less than       greater than      the same as  
the intensity of bulb *A*.
10. After the switch has been closed for a long time, the switch is then opened. Immediately after the switch is opened, the intensity of bulb *B* is  
less than      greater than       the same as  
the intensity of bulb *A*.

PROBLEM #2 (20%)



For the circuit above, calculate:

- The current in the  $8\ \Omega$  resistor. Make sure that you specify the direction of the current.
- The potential difference between points  $P$  and  $Q$ . Make sure you specify which node is at the higher potential

(a) To solve, use the node method.

$$\text{KCL at } e_1: \left(\frac{1}{4} + \frac{1}{4} + \frac{1}{8}\right) e_1 - \frac{1}{8}(8) - \frac{1}{4}(-12) = 0$$

Solve for  $e_1$ :

$$\frac{5}{8} e_1 - 1 + 3 = 0 \Rightarrow \frac{5}{8} e_1 = -2$$

$$\Rightarrow e_1 = \frac{-16}{5} = -3.2 \text{ volts}$$

Therefore,

$$V_{8\Omega} = 8 - (-3.2) = 11.2 \text{ volts}$$

PROBLEM #2 (continued)

$$i_{8\Omega} = \frac{V_{8\Omega}}{8\Omega} - 1.4 A \quad \underline{\text{to the left}}$$

(b) From (a),

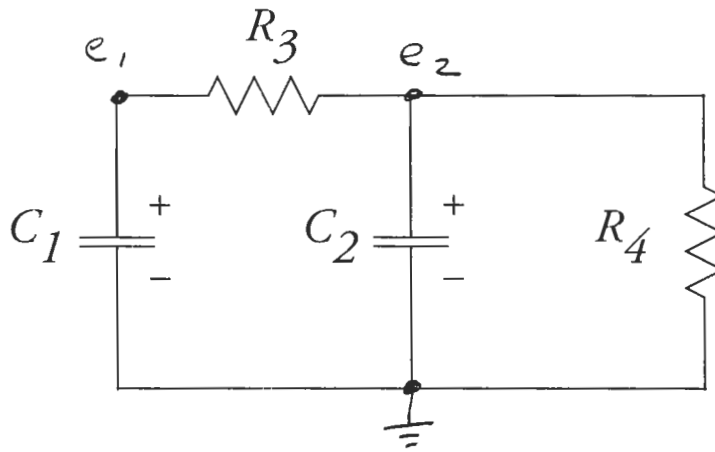
$$\text{Potential at P} = -3.2 V$$

$$\text{Potential at Q} = 0 V$$

$$\begin{aligned} \text{Potential difference} &= 0 - (-3.2) \\ &= 3.2 \end{aligned}$$

Q is at the higher potential

PROBLEM #3 (30%)



For the circuit above, find  $v_1(t)$  and  $v_2(t)$ , for the initial conditions

$$v_1(0) = 3 \text{ V}, v_2(0) = 0 \text{ V}$$

The component values are

$$C_1 = 0.1 \text{ F}, C_2 = 0.2 \text{ F}, R_3 = 4 \Omega, R_4 = 2 \Omega$$

Apply the node method, with node labellings shown.

Apply KCL at each node:

$$e_1: \left( C_1 \frac{d}{dt} + G_3 \right) e_1 - G_3 e_2 = 0$$

$$- G_3 e_1 + \left( C_2 \frac{d}{dt} + G_3 + G_4 \right) e_2 = 0$$

Assume a solution of the form

$$e_1(t) = E_1 e^{st}, e_2 = E_2 e^{st}$$

then  $E_1$  &  $E_2$  satisfy

PROBLEM #3 (continued)

$$\underbrace{\begin{bmatrix} G_1 s + G_3 & -G_3 \\ -G_3 & G_2 s + G_3 + G_4 \end{bmatrix}}_{M(s)} \underbrace{\begin{bmatrix} E_1 \\ E_2 \end{bmatrix}}_{\underline{E}} = 0$$

Plugging in component values,

$$M(s) = \begin{bmatrix} 0.1s + 0.25 & -0.25 \\ -0.25 & 0.2s + 0.75 \end{bmatrix}$$

To have a nontrivial solution,

$$\det(M(s)) = 0$$

$$= 0.02s^2 + 0.125s + 0.125$$

Solve by quadratic formula:

$$s = \frac{-0.125 \pm \sqrt{0.125^2 - 4(0.02)(0.125)}}{2(0.02)}$$

$$= -3.125 \pm 1.875$$

$$= -5, -1.25 \text{ sec}^{-1}$$

For each characteristic value, solve for characteristic vector.

PROBLEM #3 (continued)

$$s_1 = -5: \quad M(-5) = \begin{bmatrix} 0.25 & 0.25 \\ 0.25 & 0.25 \end{bmatrix}$$

$$\Rightarrow \underline{E}_1 = \begin{bmatrix} 1 \\ -1 \end{bmatrix} \quad (\text{or any multiple})$$

$$s_2 = -1.25: \quad M(-1.25) = \begin{bmatrix} 0.125 & -0.25 \\ -0.25 & 0.5 \end{bmatrix}$$

Row reduce:

$$\begin{bmatrix} 1 & -2 \\ 0 & 0 \end{bmatrix}$$

$$\Rightarrow \underline{E}_2 = \begin{bmatrix} 2 \\ 1 \end{bmatrix} \quad (\text{or any multiple})$$

Solution is:

$$\underline{e}(t) = a \begin{bmatrix} 1 \\ -1 \end{bmatrix} e^{-5t} + b \begin{bmatrix} 2 \\ 1 \end{bmatrix} e^{-1.25t}$$

The initial conditions are

$$\underline{e}(0) = a \begin{bmatrix} 1 \\ -1 \end{bmatrix} + b \begin{bmatrix} 2 \\ 1 \end{bmatrix} = \begin{bmatrix} 3 \\ 0 \end{bmatrix}$$

$$\Rightarrow \begin{bmatrix} 1 & 2 \\ -1 & 1 \end{bmatrix} \begin{bmatrix} a \\ b \end{bmatrix} = \begin{bmatrix} 3 \\ 0 \end{bmatrix}$$



**PROBLEM #3 (continued)**

Solve by row reduction, Cramer's rule, or elimination of variables. The result is

$$a = 1$$

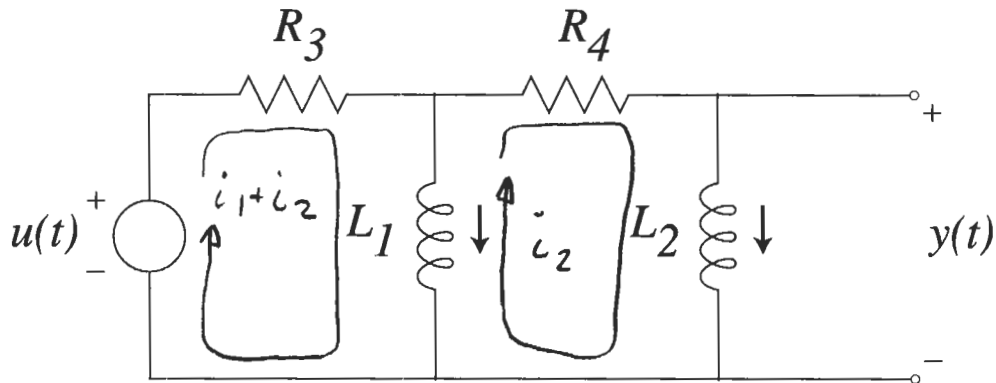
$$b = 1$$

Therefore,

$$v_1(t) = e_1(t) = (e^{-5t} + 2e^{-1.25t}) \text{ volt}$$

$$v_2(t) = e_2(t) = (-e^{-5t} + e^{-1.25t}) \text{ volt}$$

PROBLEM #4 (25%)



Find the differential equations that describe the input-output behavior of the circuit above, in state-space form,

$$\dot{\underline{x}}(t) = A\underline{x}(t) + Bu(t)$$

$$y(t) = C\underline{x}(t) + Du(t)$$

The component values are

$$L_1 = 1 \text{ H}, L_2 = 2 \text{ H}, R_3 = 3 \Omega, R_4 = 5 \Omega$$

States are  $i_1, i_2$  (current through inductors).  
state vector is

$$\underline{x} = \begin{bmatrix} i_1 \\ i_2 \end{bmatrix}$$

We must find  $\dot{\underline{x}}$ . Note that

$$\frac{di_1}{dt} = \frac{1}{L_1} v_1, \quad \frac{di_2}{dt} = \frac{1}{L_2} v_2$$

So need to find  $v_1, v_2$  in terms of  $i_1, i_2, u$ . To do this, use the loop method. Note that

PROBLEM #4 (continued)

there are 2 loops, and 2 inductors, so loop currents are known, as shown. So apply KVL around loops:

$$i_1 + i_2 \text{ loop: } R_3(i_1 + i_2) + v_1 - u = 0$$

$$i_2 \text{ loop: } R_4 i_2 + v_2 - v_1 = 0$$

$$\Rightarrow v_1 = -R_3(i_1 + i_2) + u$$

$$v_2 = -R_4 i_2 + v_1$$

$$= -R_3 i_1 - (R_3 + R_4) i_2 + u$$

Therefore,

$$\dot{\underline{x}} = \frac{d}{dt} \begin{bmatrix} i_1 \\ i_2 \end{bmatrix} = \begin{bmatrix} v_1 / L_1 \\ v_2 / L_2 \end{bmatrix}$$

$$= \begin{bmatrix} -R_3/L_1 & -R_3/L_1 \\ -R_3/L_2 & -(R_3 + R_4)/L_2 \end{bmatrix} \begin{bmatrix} i_1 \\ i_2 \end{bmatrix} + \begin{bmatrix} 1/L_1 \\ 1/L_2 \end{bmatrix} u$$

$$= \underbrace{\begin{bmatrix} -3 & -3 \\ -1.5 & -4 \end{bmatrix}}_A \underline{x} + \underbrace{\begin{bmatrix} 1 \\ 1/2 \end{bmatrix}}_B u$$

Also,

$$y = v_2 = \begin{bmatrix} -R_3 & -(R_3 + R_4) \end{bmatrix} \underline{x} + \begin{bmatrix} 1 \end{bmatrix} u$$

PROBLEM #4 (continued)

Therefore,

$$y = \underbrace{[-3 \quad -8]}_C \underline{x} + \underbrace{[1]}_D a$$